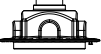

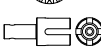
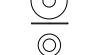


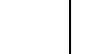
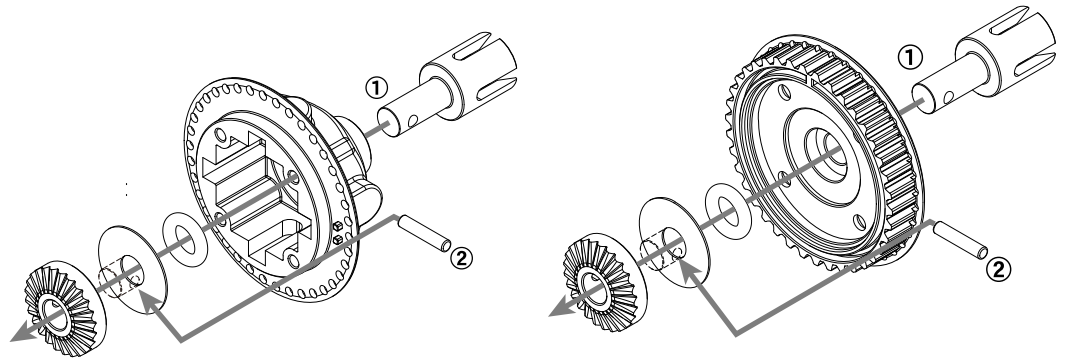
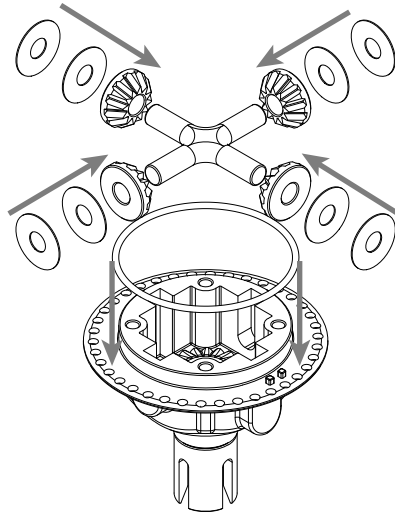


-  **R10102E**
Rear Diff Case
-  **R10102E**
Rear Diff Case
-  **R101110**
Gear Diff Set
-  **R103110**
Gear Diff Out Drive Spring Steel
-  **R103024**
Gear Diff Shim Big
-  **R104006**
O'ring 5x2
-  **R106101**
Ø 2 x 9.8 mm

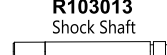



Front Diff Oil
#60000
Rear Diff Oil
#10000

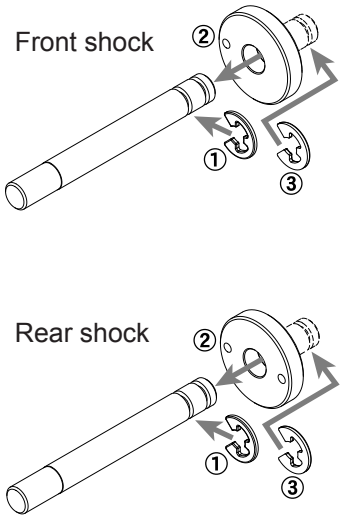
-  **R101110**
Gear Diff Set
x 4pcs
-  **R103023**
Gear Diff Shim small
-  **R104005**
O'ring 26x1







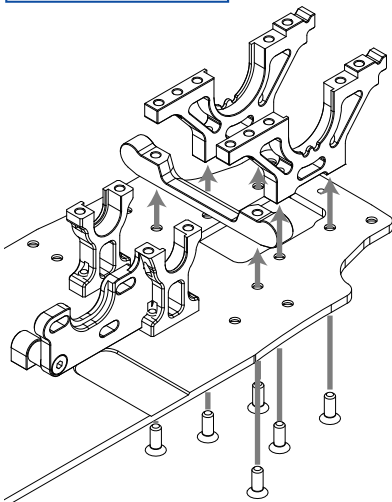
Shock Oil #500



-  **R103013**
Shock Shaft
-  **R104013**
Shock Piston 2 Hole

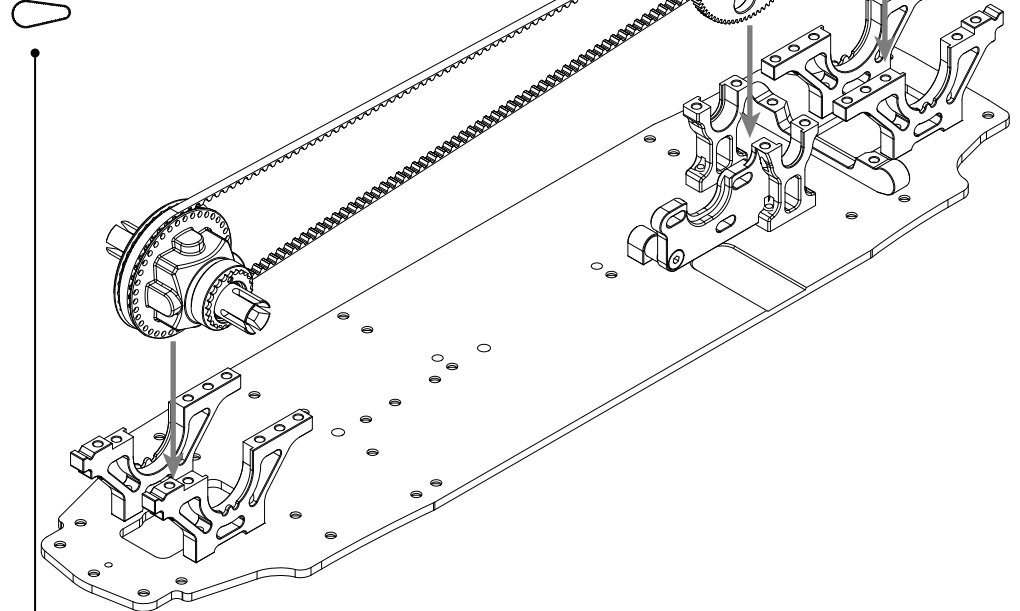
-  **R105501**
E-Clip 2 mm



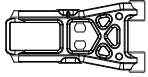
-  **R102501**
Bulkhead Alu FL/RR
-  **R102502**
Bulkhead Alu FR/RL
-  **R102510**
Suspension Alu Bracket#0
-  **R105204**
3 x 8 mm



-  **R104050**
Front Belt Rubber
-  **R104054**
R10 Rear Belt Rubber 4mm



R10110F
Low Arm F Set with Shim



R10110A

R10110B

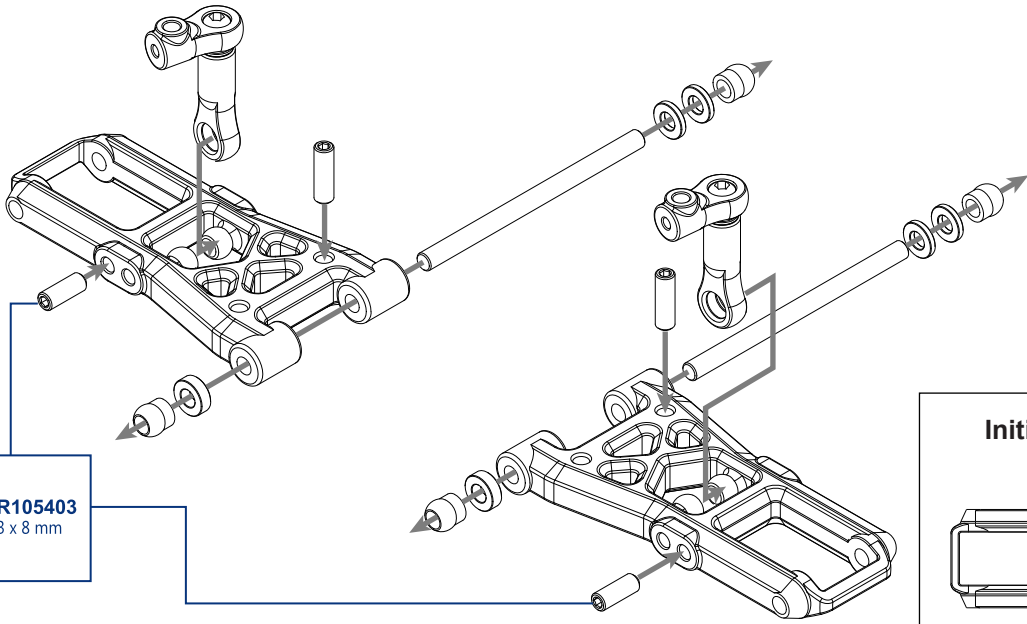
R10110C

R103008
Ball 5mm

R103014
Pivot Pin Inner

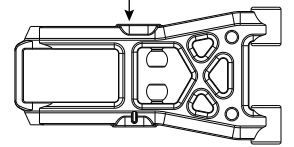
R105404
3 x 10 mm

R105403
3 x 8 mm



Initial Position

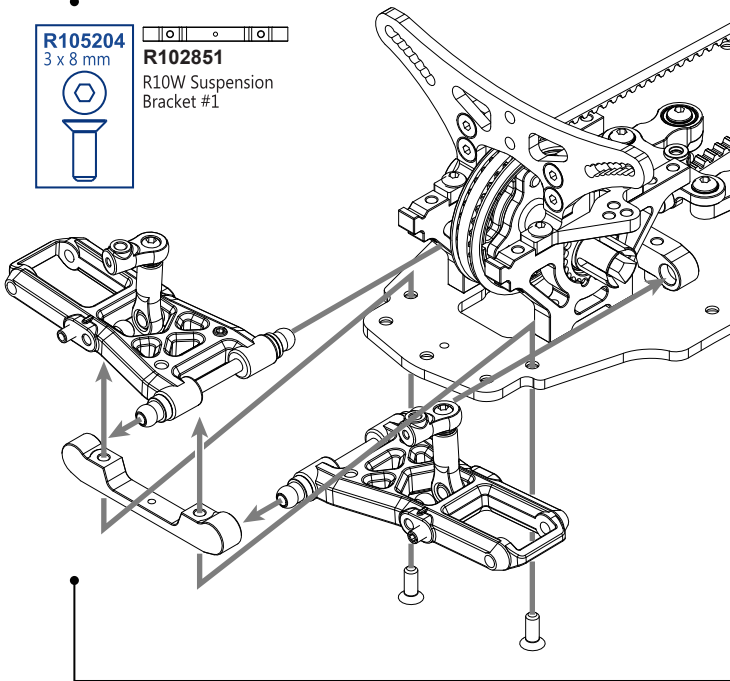
32mm



R105204
3 x 8 mm

R102851

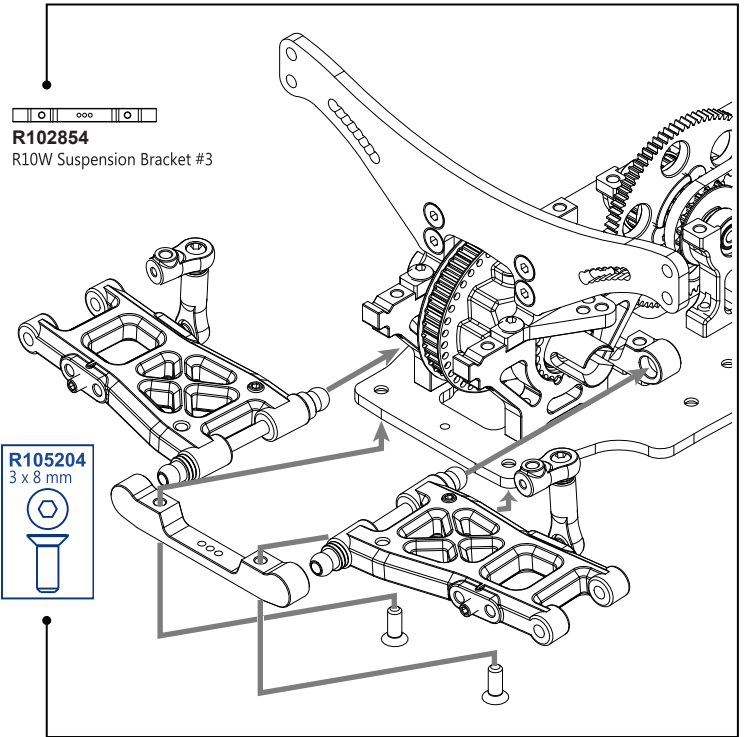
R10W Suspension
Bracket #1



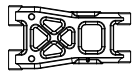
R102854

R10W Suspension
Bracket #3

R105204
3 x 8 mm



R10110R
Low Arm R Set with Shim



R10110A

R10110B

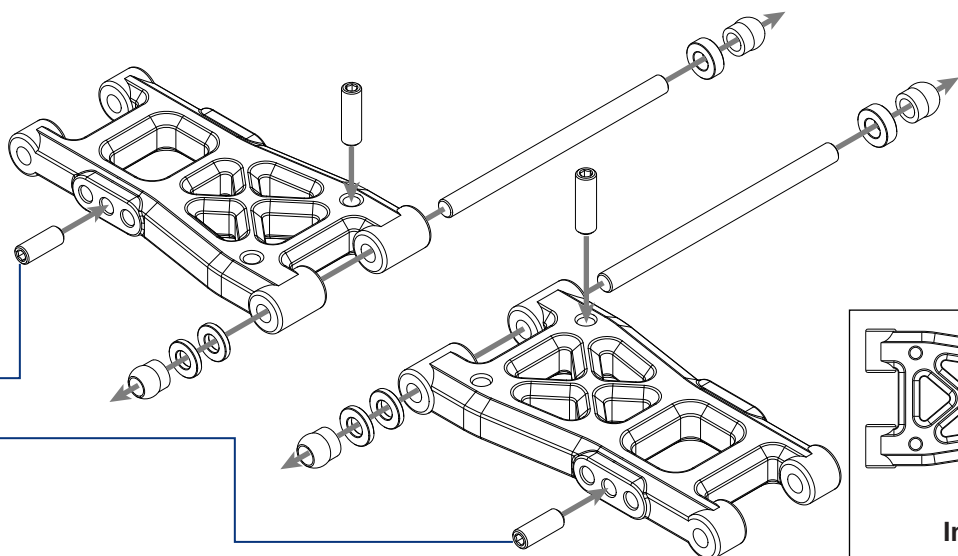
R10110C

R103008
Ball 5mm

R103014
Pivot Pin Inner

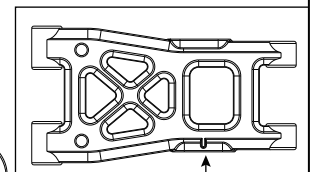
R105404
3 x 10 mm

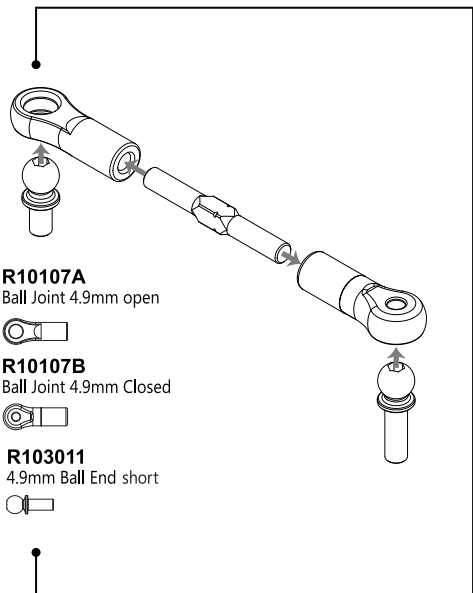
R105403
3 x 8 mm



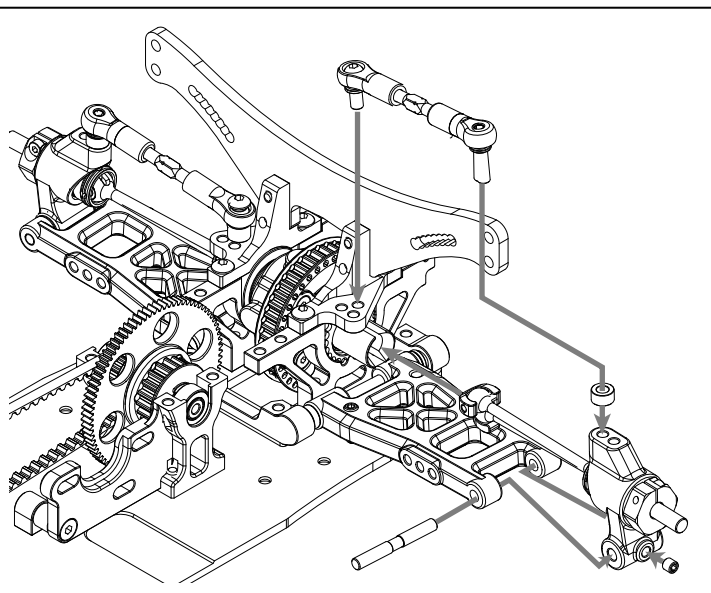
36.1mm

Initial Position





R103016
Pivot Pin Rear-Out
25mm



RIO-W PART LIST

R10 Rear Belt Rubber 4mm

• **R104054** •

Front Anti Roll Bar 1.6mm

• **R107020** •

Rear Anti Roll Bar 1.5mm

• **R107023** •

R10W Suspension Bracket #3

• **R102854** •

R10W Suspension Bracket #2

• **R102852** •

R10W Suspension Bracket #1

• **R102851** •

R10W Suspension Bracket #0

• **R102850** •

Gear Diff Out Drive Spring Steel

• **R103110** •

R10W Spring Steel Drive Shaft

• **R103111** •

Shock Piston 2 Hole

• **R104013** •

Shock Piston one Hole

• **R104014** •

R10W Chassis Carbon 2.5mm

• **R108100** •

R10W Gear Diff Set

• **R109016** •