

|                |  |
|----------------|--|
| RACE           |  |
| TRACK NAME     |  |
| CITY / COUNTRY |  |
| DATE           |  |

|                     |                                    |                                  |                               |
|---------------------|------------------------------------|----------------------------------|-------------------------------|
| TEMPERATURE         | AIR                                | TRACK                            |                               |
| QUALIFYING POSITION | BEST LAP TIME<br>SEC               | FINAL POSITION                   | RACE LENGTH<br>MIN            |
| TRACK CONDITION     | <input type="checkbox"/> CARPET    | <input type="checkbox"/> ASPHALT |                               |
|                     | <input type="checkbox"/> TECHNICAL | <input type="checkbox"/> MIXED   | <input type="checkbox"/> FAST |
| TRACTION            | <input type="checkbox"/> LOW       | <input type="checkbox"/> MEDIUM  | <input type="checkbox"/> HIGH |

|                      |                        |
|----------------------|------------------------|
| TRANSMISSION         |                        |
| GEAR DIFF OIL<br>CST | NUMBER OF GEARS<br>2 4 |

|                   |   |           |   |
|-------------------|---|-----------|---|
| PINION            | T | SPUR GEAR | T |
| FINAL DRIVE RATIO |   |           |   |

|                                    |                                   |
|------------------------------------|-----------------------------------|
| SHOCK SET                          |                                   |
| <input type="checkbox"/> PDS FRONT | <input type="checkbox"/> PDS REAR |

|       |                  |      |
|-------|------------------|------|
| FRONT | OIL              | REAR |
| CST   |                  | CST  |
|       | SPRING           |      |
| mm    | HOLES / DIAMETER | mm   |
| %     | REBOUND          | %    |

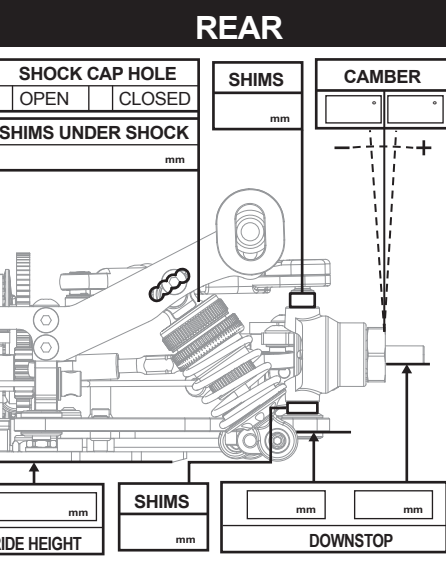
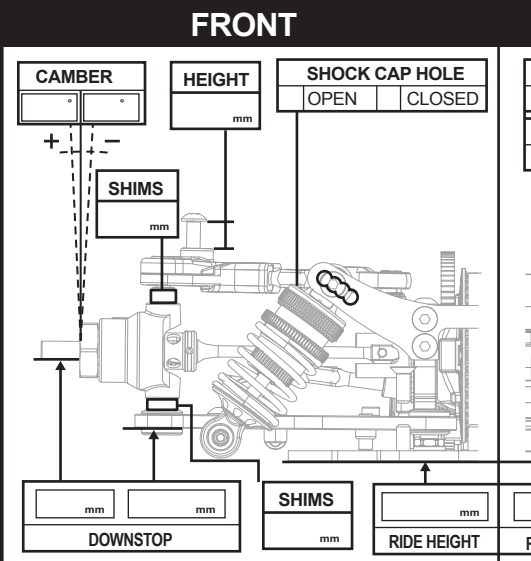
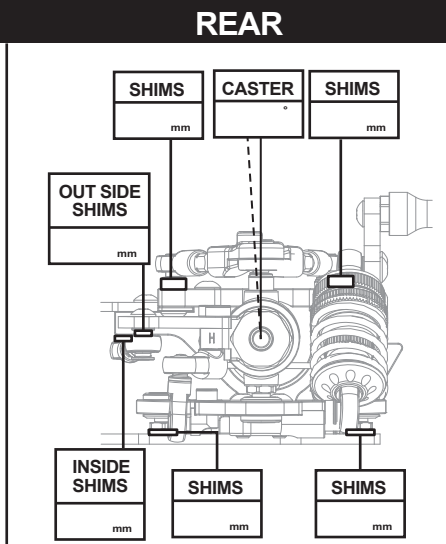
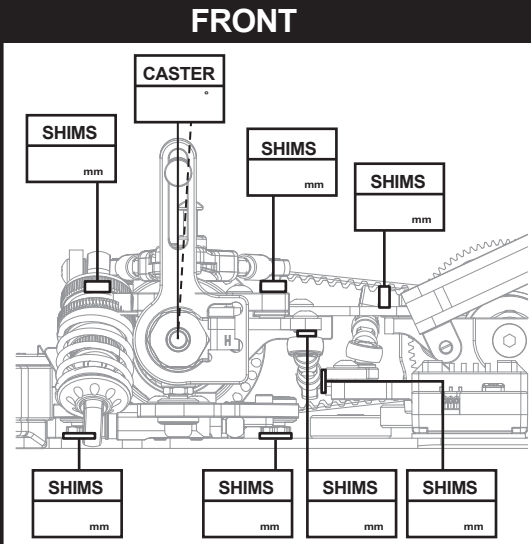
|               |      |
|---------------|------|
| ANTI-ROLL BAR |      |
| FRONT         | REAR |
| mm            | mm   |

|                 |    |    |    |
|-----------------|----|----|----|
| TIRES           |    |    |    |
| ADDITIVE TIMING |    |    |    |
| ADDITIVE        |    |    |    |
| FL              | FR | RL | RR |
| TREATED AREA    |    |    |    |

|                     |  |
|---------------------|--|
| BODY MOUNT DISTANCE |  |
| mm                  |  |

|      |      |
|------|------|
| BODY | WING |
|------|------|

|      |
|------|
| NOTE |
|      |
|      |
|      |



## CHASSIS SETUP

