

RACE	Singapore EP Nationals Round 1
TRACK NAME	RMC PA East Coast Track
CITY / COUNTRY	P.Y.Tang Singapore
DATE	24 March 2024

TEMPERATURE	AIR	TRACK	
35C			
QUALIFYING POSITION	BEST LAPTIME	FINAL POSITION	RACE LENGTH
A1	15.7 SEC	A1	5 MIN
TRACK CONDITION	<input type="checkbox"/> CARPET	<input checked="" type="checkbox"/> ASPHALT	
<input type="checkbox"/> TECHNICAL	<input type="checkbox"/> MIXED	<input checked="" type="checkbox"/> FAST	
TRACTION	<input type="checkbox"/> LOW	<input checked="" type="checkbox"/> MEDIUM	<input type="checkbox"/> HIGH

TRANSMISSION	
BELT	GEAR DIFF OIL
FRONT <input checked="" type="checkbox"/> STD <input type="checkbox"/> SOFT	<input checked="" type="checkbox"/> Hiro Seiko 8k CST
REAR <input checked="" type="checkbox"/> STD <input type="checkbox"/> SOFT	NUMBER OF GEARS
	<input type="checkbox"/> 2 <input checked="" type="checkbox"/> 4

PINION	Titan 29 T	SPUR GEAR	ARC 112 T
FINAL DRIVE RATIO	7.33		

SPRING	
FRONT	REAR
Hiro Seiko 30 CST	Hiro Seiko 35 CST
ARC 17mm Red	ARC 17mm Yellow
4 1.1 mm	4 1.1 mm
HOLES/DIAEMEER	
10 %	REBOUND
	10 %

ANTI-ROLL BAR	
FRONT	REAR
1.2 mm	1.2 mm

Sweep D40	TIRES	Sweep D40	
10min warm	ADDITIVE TIMING	10min warm	
Mighty Orange	ADDITIVE		
FL	FR	RL	RR
<input type="checkbox"/>	<input type="checkbox"/>	<input type="checkbox"/>	<input type="checkbox"/>
TREATED AREA			

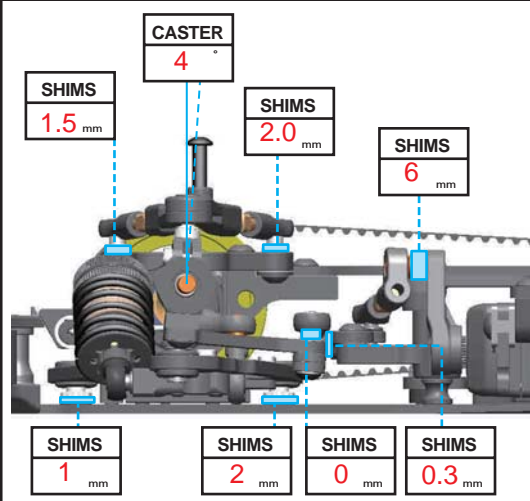
BODY MOUNT DISTANCE	
59 mm	

BODY	Speciale L	WING	Twister L
------	------------	------	-----------

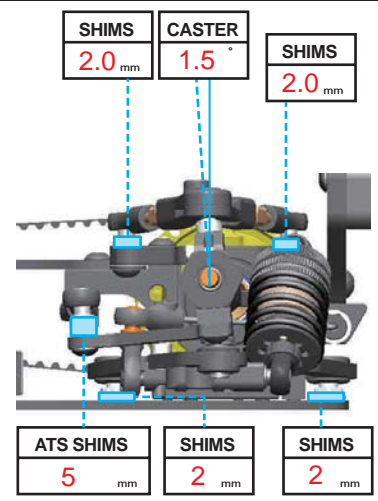
NOTE

Alu steering bell crank
Upper deck Titan TI-0306/0308 screws
Front BB drive shaft proto
Titan 40mm motor fan
Muchmore ULCG 5900
Titan TI-0306 motor screw
ARC alu servo horn 25T
Xpert RP-4401 HV servo
Muchmore super cap linear
Blitz alu body adjuster
ARC R129008 BB set
2mm shim bottom shocks front/rear

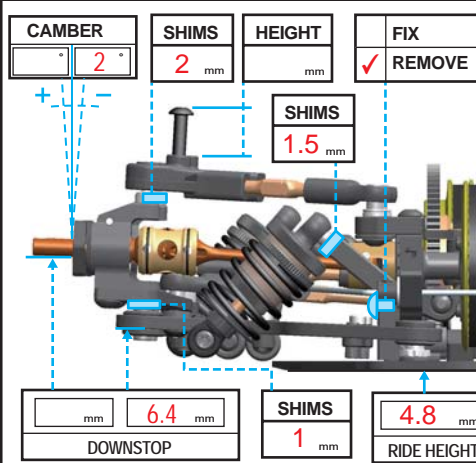
FRONT



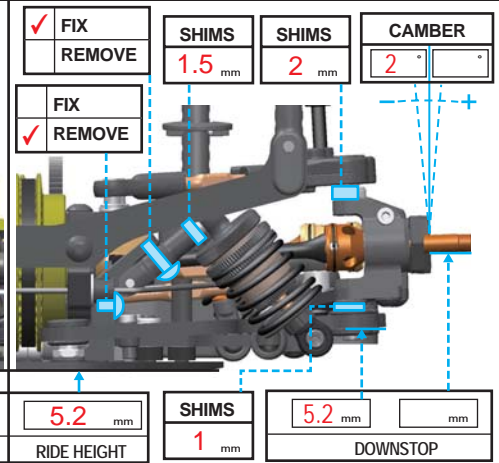
REAR



FRONT



REAR



CHASSIS SETUP

