

RACE	UTS Round 3
TRACK NAME	Urban RC
CITY / COUNTRY	P.Y.Tang Singapore
DATE	5 May 2024

TEMPERATURE	AIR	TRACK	
32C			
QUALIFYING POSITION	BEST LAPTIME	FINAL POSITION	RACE LENGTH
A1	9.962 SEC	A1	5 MIN
TRACK CONDITION	<input type="checkbox"/> CARPET	<input checked="" type="checkbox"/> ASPHALT	
<input checked="" type="checkbox"/> TECHNICAL	<input type="checkbox"/> MIXED	<input type="checkbox"/> FAST	
TRACTION	<input type="checkbox"/> LOW	<input type="checkbox"/> MEDIUM	<input checked="" type="checkbox"/> HIGH

TRANSMISSION			
BELT	GEAR DIFF OIL		
FRONT <input checked="" type="checkbox"/> STD <input type="checkbox"/> SOFT	<input checked="" type="checkbox"/> Hiro Seiko 10k CST		
REAR <input checked="" type="checkbox"/> STD <input type="checkbox"/> SOFT	NUMBER OF GEARS		
	<input type="checkbox"/> 2 <input checked="" type="checkbox"/> 4		

PINION	50	T	SPUR GEAR	100	T
FINAL DRIVE RATIO	3.8				

SUSPENSION			
FRONT		REAR	
Hiro Seiko 30 W CST	OIL	Hiro Seiko 35 W CST	
PDS	PDS	<input checked="" type="checkbox"/> PDS	
Xray 20mm 2.5-2.8	SPRING	Xray 20mm 2.8	
2 1 mm	HOLES / DIAMEER	2 1 mm	
10 %	REBOUND	10 %	

ANTI-ROLL BAR	
FRONT	REAR
1.1 mm	1.1 mm

Control TP	TIRES		
10 mins	ADDITIVE TIMING		
Control Hudy	ADDITIVE		
FL	FR	RL	RR
<input type="checkbox"/>	<input type="checkbox"/>	<input type="checkbox"/>	<input type="checkbox"/>
TREATED AREA			

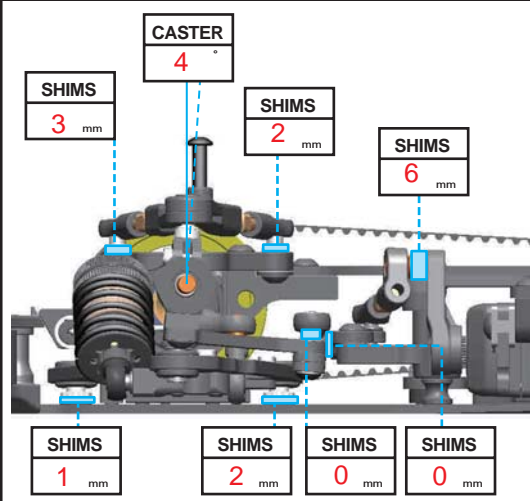
BODY MOUNT DISTANCE	
59 mm	

BODY	Speciale UL	WING	Twister L
------	-------------	------	-----------

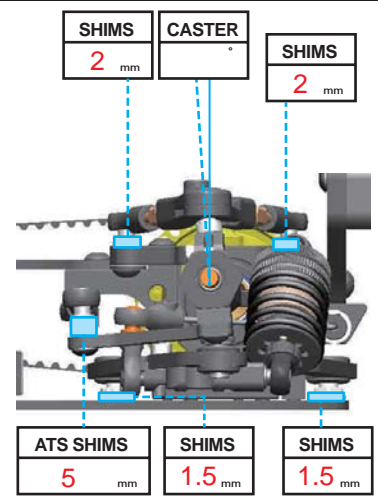
NOTE

Titan 40mm fan
 Xpert RP-4401HV servo
 Muchmore SLCG 6000
 Titanium -0.5mm 4.9mm balls
 ARC alu bell crank
 ARC alu eccentric hub
 Front BB shaft
 Lower bumper cut

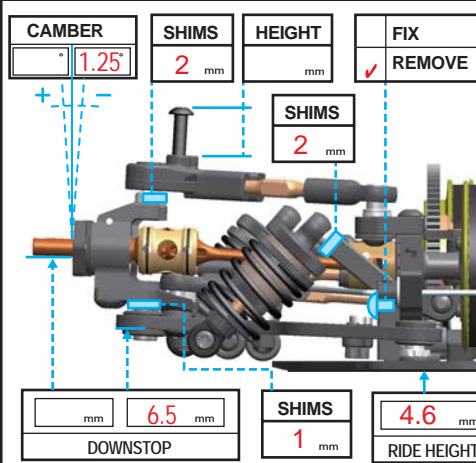
FRONT



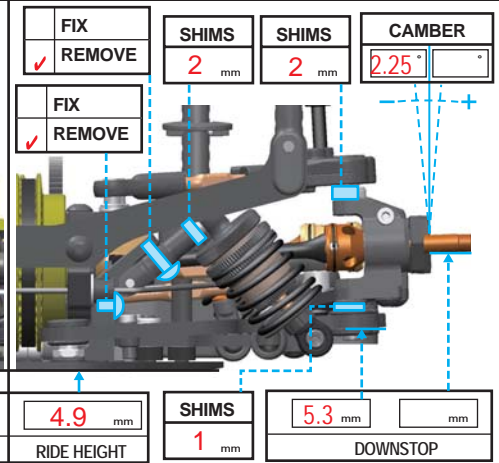
REAR



FRONT



REAR



CHASSIS SETUP

