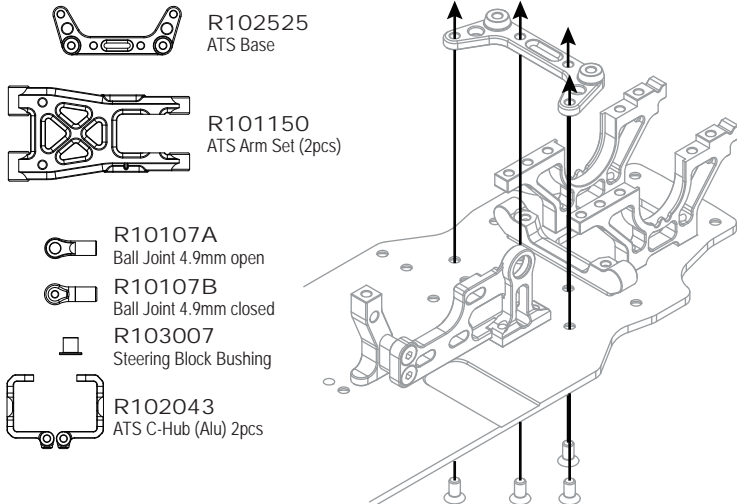


R100010



R102525
ATS Base

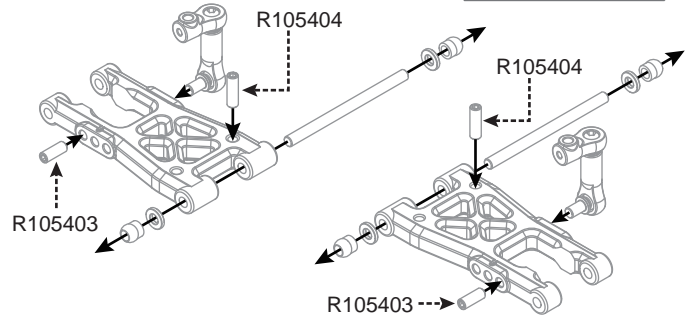
R101150
ATS Arm Set (2pcs)

R10107A
Ball Joint 4.9mm open

R10107B
Ball Joint 4.9mm closed

R103007
Steering Block Bushing

R102043
ATS C-Hub (Alu) 2pcs

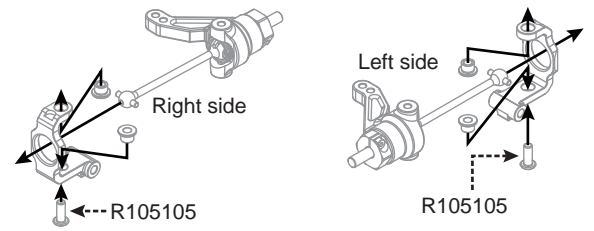


R105404

R105404

R105403

R105403



Right side

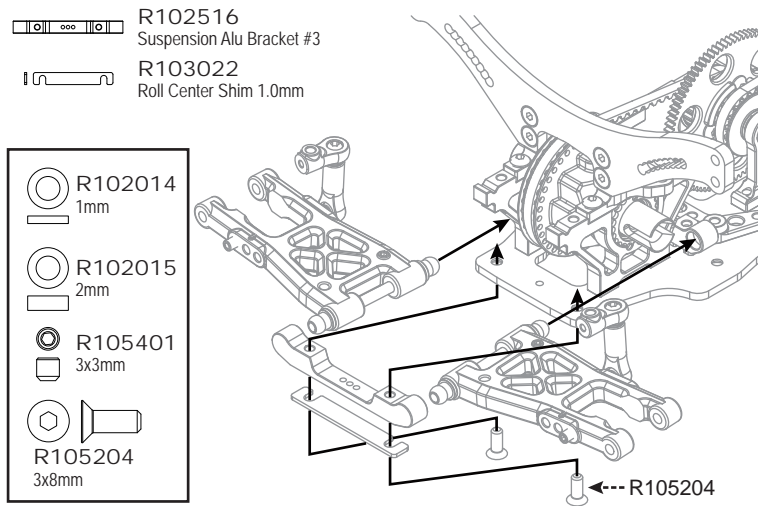
Left side

R105105 3x8mm

R105203 3x6mm

R105403 3x8mm

R105404 3x10mm



R102516
Suspension Alu Bracket #3

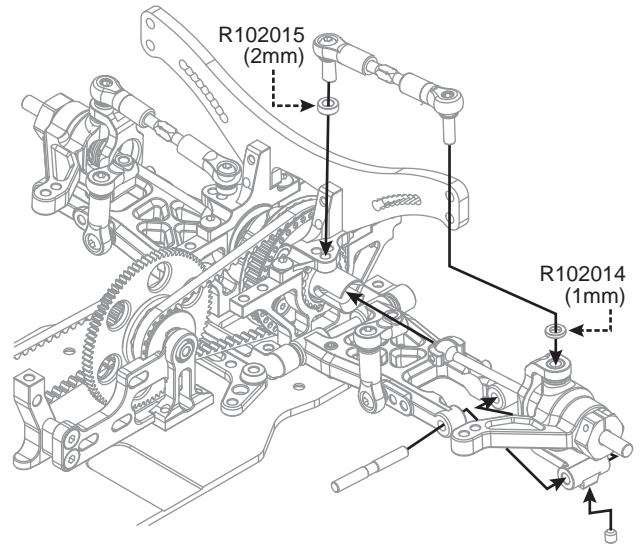
R103022
Roll Center Shim 1.0mm

R102014
1mm

R102015
2mm

R105401
3x3mm

R105204
3x8mm



R102015 (2mm)

R102014 (1mm)

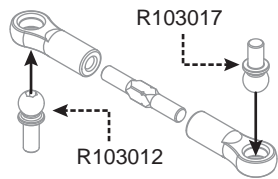
R103012
4.9mm Ball End Long

R103016
Pivot Pin Rear-Out (25mm)

R103017
4.9mm Ball End Med

R10101C
Anti-Roll Bar Holder

R102006
Collar Alu



1:1 Rear Anti Roll Bar

Cut each side 5mm to fit ATS.

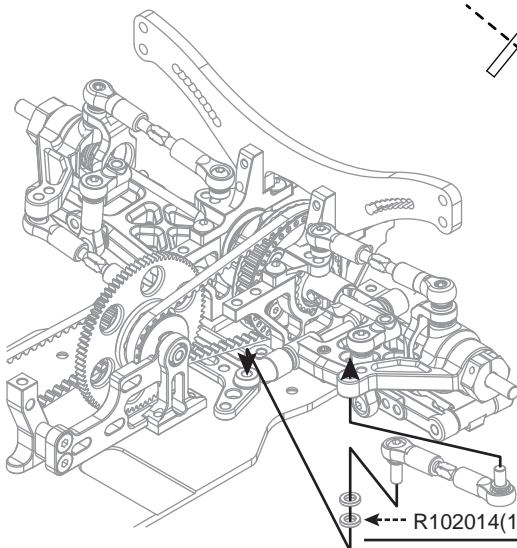
Cut 5mm

Cut 5mm

R102014
1mm

R105401
3x3mm

R105104
3x6mm



R102014(1mm)

ATS Base Shims	Toe Angle Change
2mm	1.0 degree
1mm	1.5 degree