

RACE

TRACK NAME

CITY / COUNTRY

DATE

TEMPERATURE AIR  TRACK

QUALIFYING POSITION  BEST LAPTIME  FINAL POSITION  RACE LENGTH

SEC MIN

TRACK CONDITION  CARPET  ASPHALT  FAST

TECHNICAL  MIXED

TRACTION  LOW  MEDIUM  HIGH

TRANSMISSION

GEAR DIFF  SPOOL

60000 CST Number of Gears  2  4

PINION  T SPUR GEAR  T

FINAL DRIVE RATIO  FDR 2.11

SHOCK PDS CYLINDER

FRONT+PDS  REAR+PDS

FRONT REAR

500 CST OIL 500 CST

ARC Yellow SPRING ARC Yellow

3 1.1 mm HOLES / DIAMEER 3 1.1 mm

0 % REBOUND 0 %

ANTI-ROLL BAR

FRONT 1.3 mm REAR 1.3 mm

TIRES

ADDITIVE TIMING

ADDITIVE

FL FR RL RR TREATED AREA

FL FR RL RR TREATED AREA

FL FR RL RR TREATED AREA

FL FR RL RR TREATED AREA

FL FR RL RR TREATED AREA

FL FR RL RR TREATED AREA

FL FR RL RR TREATED AREA

FL FR RL RR TREATED AREA

FL FR RL RR TREATED AREA

FL FR RL RR TREATED AREA

FL FR RL RR TREATED AREA

FL FR RL RR TREATED AREA

FL FR RL RR TREATED AREA

FL FR RL RR TREATED AREA

FL FR RL RR TREATED AREA

FL FR RL RR TREATED AREA

FL FR RL RR TREATED AREA

FL FR RL RR TREATED AREA

FL FR RL RR TREATED AREA

FL FR RL RR TREATED AREA

FL FR RL RR TREATED AREA

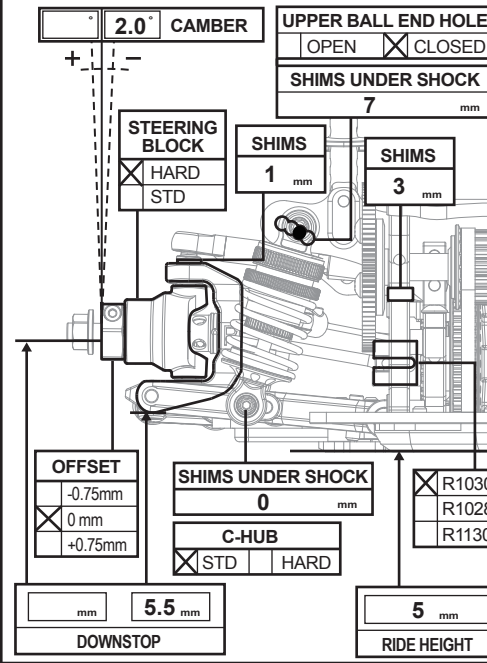
FL FR RL RR TREATED AREA

FL FR RL RR TREATED AREA

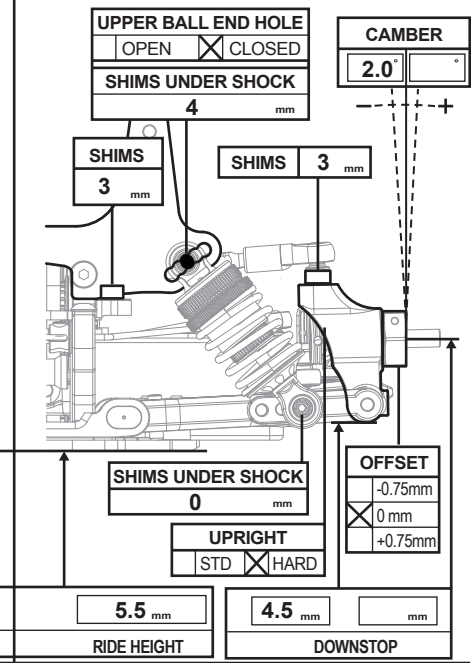
FL FR RL RR TREATED AREA

FL FR RL RR TREATED AREA

## FRONT



## REAR



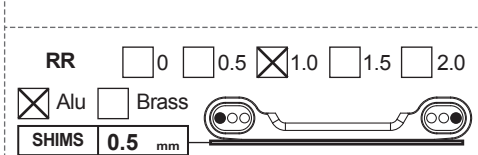
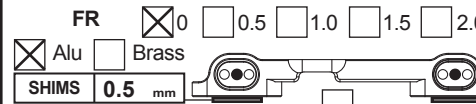
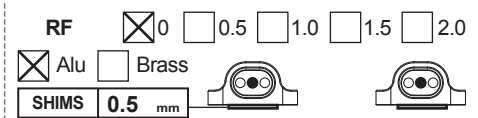
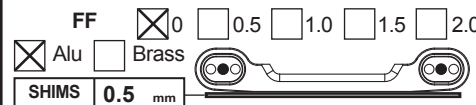
### Front Shock Position

ARM HARDNESS  
 HARD  
 STD  
 SOFT

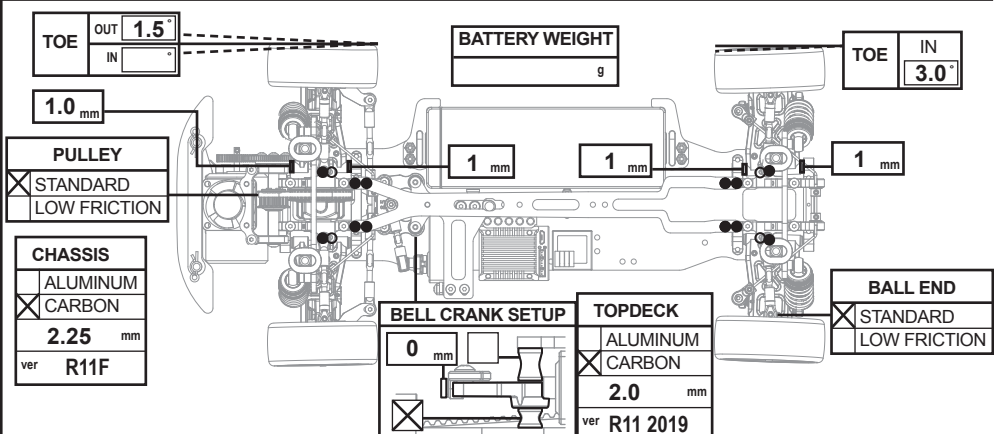
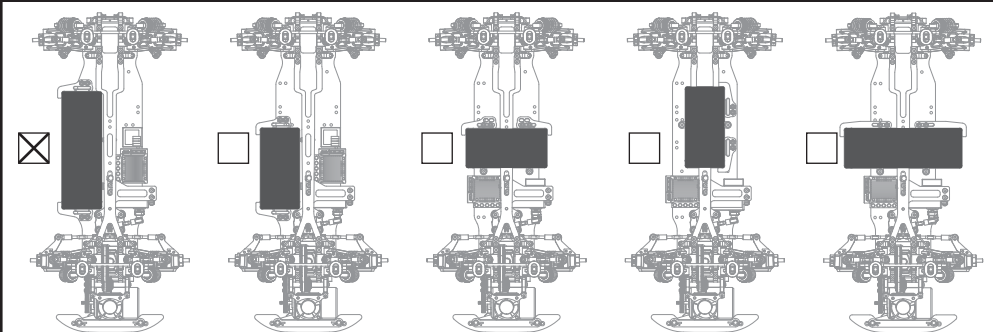
### Rear Shock Position

ARM HARDNESS  
 HARD  
 STD  
 SOFT

## SUSPENSION INSERT CHART



## BATTERY ALEGMENT



## NOTE

NOTE