

RACE

TRACK NAME

CITY / COUNTRY

DATE

TEMPERATURE AIR  TRACK

QUALIFYING POSITION  BEST LAP TIME  FINAL POSITION  RACE LENGTH

TRACK CONDITION  CARPET  ASPHALT  FAST

TECHNICAL  MIXED

TRACTION  LOW  MEDIUM  HIGH

FRONT TRANSMISSION REAR

GEAR DIFF  CST GEAR DIFF  CST

ONE WAY Number of Gears

SPOOL  2  4

PINION  T SPUR GEAR  T

FINAL DRIVE RATIO

SHOCK SET

SHORT +  PDS  ULTRA SHORT +  PDS

FRONT OIL REAR

500 CST  500 CST

ARC Yellow SPRING ARC Green

4 1.1 mm HOLES / DIAMETER 4 1.1 mm

0 % REBOUND 0 %

ANTI-ROLL BAR

FRONT 1.3 mm REAR 1.3 mm

TIRES

ADDITIVE TIMING

ADDITIVE

FL FR RL RR TREATED AREA

BODY MOUNT DISTANCE  0 mm

BODY S100 WING STANDARD

STEER BLOCK SHIMS

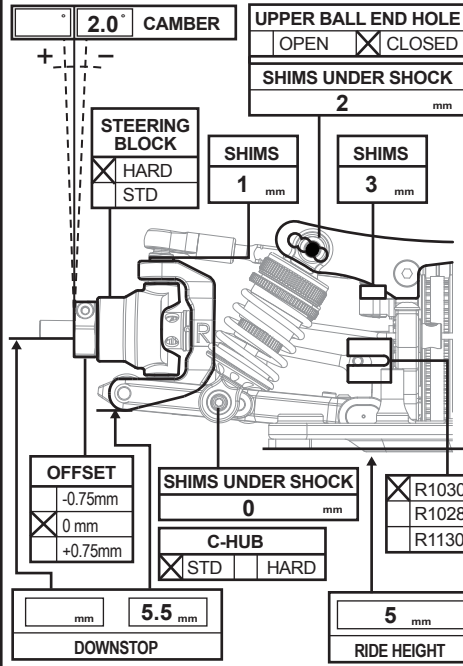
STEER BLOCK SETUP

R118041

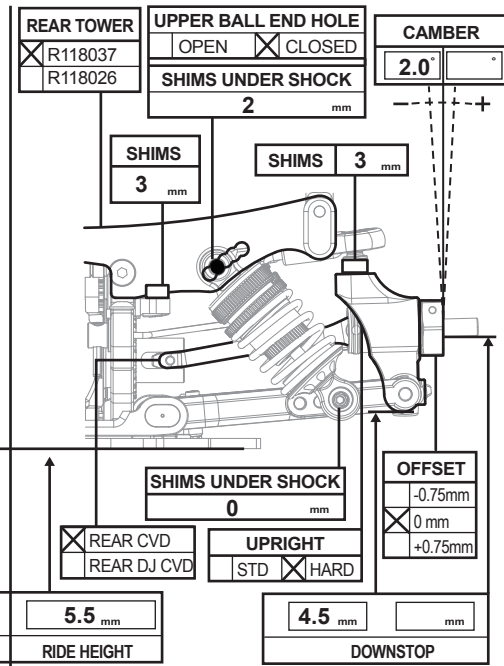
BUMP STEER SHIMS  0 mm

NOTE

## FRONT



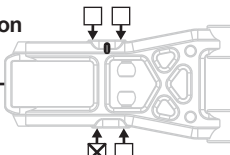
## REAR



### Front Shock Position

ARM HARDNESS

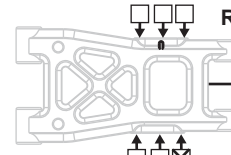
HARD  STD  SOFT



### Rear Shock Position

ARM HARDNESS

HARD  STD  SOFT



## SUSPENSION INSERT CHART

FF  0  0.5  1.0  1.5  2.0

Alu  Brass

SHIMS 0.5 mm

RF  0  0.5  1.0  1.5  2.0

Alu  Brass

SHIMS 0.5 mm

FR  0  0.5  1.0  1.5  2.0

Alu  Brass

SHIMS 0.5 mm

RR  0  0.5  1.0  1.5  2.0

Alu  Brass

SHIMS 0.5 mm

## ATS SETUP

