

RACE

TRACK

NAME

CITY / COUNTRY

DATE

TEMPERATURE	AIR	TRACK	
QUALIFYING POSITION	BEST LAP TIME	FINAL POSITION	RACE LENGTH
	SEC		MIN
TRACK CONDITION	<input type="checkbox"/> TECHNICAL	<input checked="" type="checkbox"/> MIXED	<input type="checkbox"/> FAST
TRACTION	<input type="checkbox"/> LOW	<input checked="" type="checkbox"/> MEDIUM	<input type="checkbox"/> HIGH

GEAR RATIO CHART

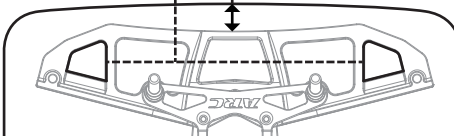
Spur Pinion \ 56	57	58	60	61	62	
22	5.85	5.96	6.06	6.27	6.38	6.48
23	5.60	5.70	5.80	6.00	6.10	6.20
24	5.37	5.46	5.56	5.75	5.85	5.94
25	5.15	5.24	5.34	5.52	5.61	5.70
26	4.95	5.04	5.13	5.31	<input checked="" type="checkbox"/> 5.40	5.48
27	4.77	4.86	4.94	5.11	5.20	5.28
28	4.60	4.68	4.76	4.93	5.01	5.09
29	4.44	4.52	4.60	4.76	4.84	4.92

Front		SHOCK		Rear	
OIL	<input checked="" type="checkbox"/> 1 HOLE	SHOCK PISTON	<input type="checkbox"/> 1 HOLE	OIL	<input type="checkbox"/> 2 HOLE
500 CST	<input type="checkbox"/> 2 HOLE	HOLE SIZE	<input checked="" type="checkbox"/> 2 HOLE	500 CST	
SPRING	<input type="checkbox"/>		<input type="checkbox"/>	SPRING	<input type="checkbox"/>
Red				Green	

Front		TIRE		Rear	
Front Left	32°	Tire Shore	Rear Left	35°	
Front Right	32°		Rear Right	35°	
Front Left	68 _{mm}	Tire Ø	Rear Left	75 _{mm}	
Front Right	68 _{mm}		Rear Right	75 _{mm}	
<input type="checkbox"/>		Tire Additive	<input type="checkbox"/>		

BODY

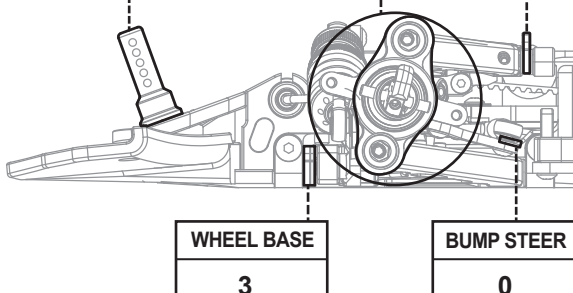
Bumper	Standard	BODY MOUNT DISTANCE
<input checked="" type="checkbox"/> Cut		24 mm



BODY	TS040	WING	6 mm
------	-------	------	------

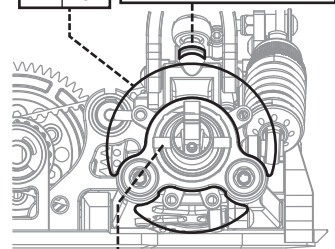
NOTE

FRONT BODY TOWER		DISK	CASTER
Front	Rear	Yes	4 mm
<input checked="" type="checkbox"/>		<input checked="" type="checkbox"/> No	



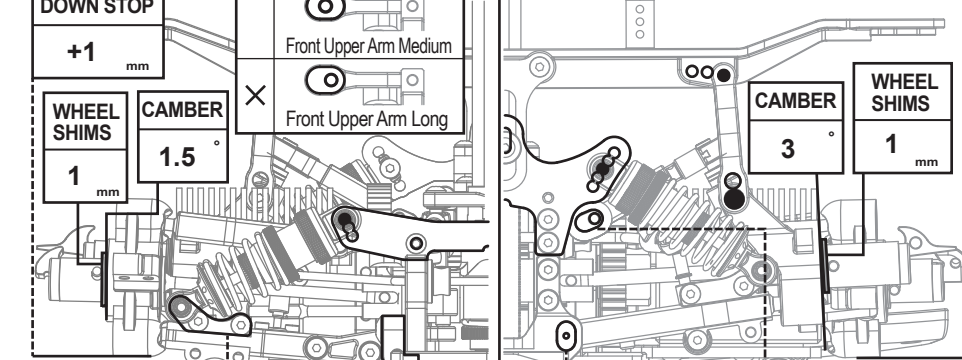
WHEEL BASE	BUMP STEER
3 mm	0 mm

DISK	REAR UPRIGHT SHIMS
<input checked="" type="checkbox"/> Yes	3 mm
<input type="checkbox"/> No	



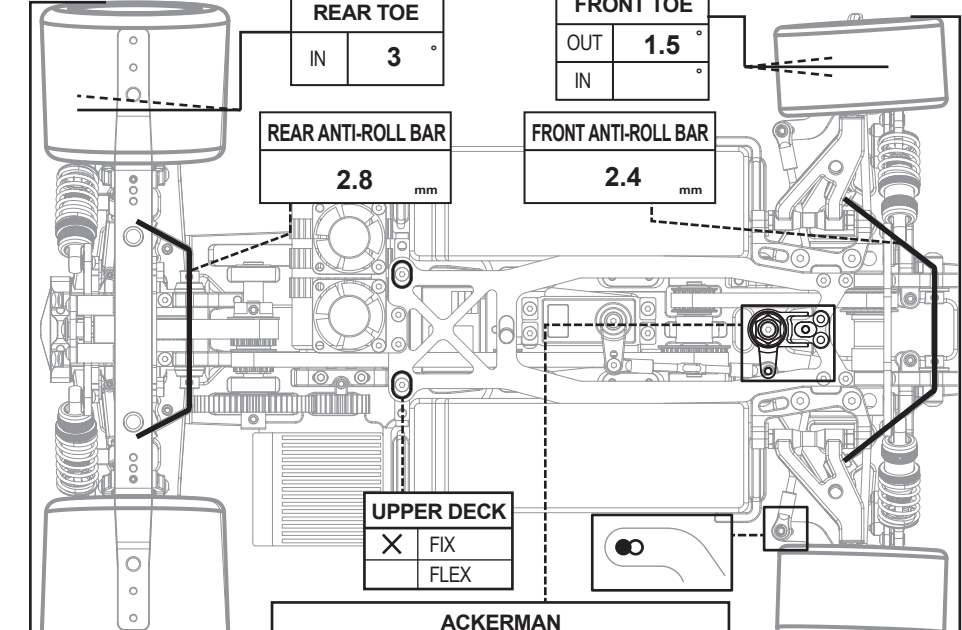
ECCENTRIC HUB		
<input type="checkbox"/>	<input type="checkbox"/>	<input checked="" type="checkbox"/>

FRONT		FRONT UPPER ARM		REAR	
RIDE HEIGHT	8 mm	Front Upper Arm Short	RIDE HEIGHT	8.5 mm	DOWN STOP
DOWN STOP	+1 mm	<input type="checkbox"/>	Front Upper Arm Medium		+9 mm
WHEEL SHIMS	1 mm	<input checked="" type="checkbox"/>	Front Upper Arm Long	CAMBER	3°
CAMBER	1.5°			WHEEL SHIMS	1 mm



LONG	SHORT	+0mm	+2mm	REAR ROLL CENTER	REAR UPPER LINK
<input checked="" type="checkbox"/> R802042	<input type="checkbox"/> R802041	<input checked="" type="checkbox"/> R801021	<input type="checkbox"/> R801022	<input type="checkbox"/>	<input checked="" type="checkbox"/>

REAR TOE	FRONT TOE
IN 3°	OUT 1.5°
	IN



REAR ANTI-ROLL BAR	FRONT ANTI-ROLL BAR
2.8 mm	2.4 mm

UPPER DECK	<input checked="" type="checkbox"/> FIX	<input type="checkbox"/> FLEX
------------	---	-------------------------------

ACKERMAN			
<input type="checkbox"/>	<input checked="" type="checkbox"/>	<input type="checkbox"/>	<input type="checkbox"/>

TRACK WIDTH	265 mm	TRACK WIDTH	254 mm
-------------	--------	-------------	--------