

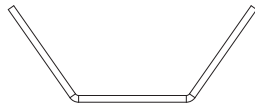
R8.1 2018 ADDITIONAL OPTION PARTS

R814001
2x1.5 O'ring (6)

R807003 x1
Clutch Spring X-Hard



R802087 x1
Front Down Stop Arm-Alu (2)



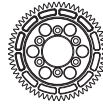
R807016 x1
Front Anti-Roll Bar 2.4mm

R807017 x1
Front Anti-Roll Bar 2.6mm



R817022 x1
R8.1 Rear Anti-Roll Bar 2.8mm

R817024 x1
R8.1 Rear Anti-Roll Bar 2.6mm



R804050 x1
1st Spur 60T

R804052 x1
1st Spur 62T



R804053 x1
2nd Spur 56T

R804055 x1
2nd Spur 58T



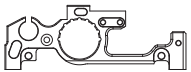
R807051 x1
Shock Spring Front (Yellow)



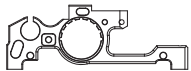
R807061 x1
Shock Spring Rear (Blue)

R8.1 2018 ADDITIONAL INSTRUCTION

BAG 01



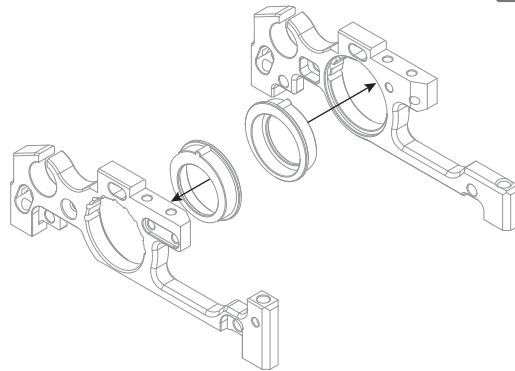
R812040
R8.1 Front Bulkhead-L
V2018



R812041
R8.1 Front Bulkhead-R
V2018



R801040
Bearing Bushing -Solid Axle (2)



BAG 07

R102006
Collar Alu

R102021
3x6x1.0mm Alu Shims(8pcs)

R814001
2x1.5 O'ring (6)

R801100
Throttle Servo Horn Set



R802057
Brake Lever

R804035
Fuel Tube

R807006
Throttle Linkage (2)

R805300
2.5x8mm

R105401
3x3mm Set

