

RACE	
TRACK	
NAME	
CITY / COUNTRY	
DATE	

TEMPERATURE	AIR	TRACK	
QUALIFYING POSITION	BEST LAP TIME	FINAL POSITION	RACE LENGTH
SEC		MIN	
TRACK CONDITION	<input type="checkbox"/> TECHNICAL	<input type="checkbox"/> MIXED	<input type="checkbox"/> FAST
TRACTION	<input type="checkbox"/> LOW	<input type="checkbox"/> MEDIUM	<input type="checkbox"/> HIGH

GEAR RATIO CHART

Spur	Spur 1st	Spur 2nd
Pinion	60 61 62	56 57 58
1st	<input type="checkbox"/> 18T <input type="checkbox"/> 19T <input type="checkbox"/> 20T	<input type="checkbox"/>
2nd	<input type="checkbox"/> 23T <input type="checkbox"/> 24T <input type="checkbox"/> 25T	<input type="checkbox"/>

Front SHOCK		Rear SHOCK	
OIL	<input type="checkbox"/> 1 HOLE <input type="checkbox"/> 2 HOLE	SHOCK PISTON	<input type="checkbox"/> 1 HOLE <input type="checkbox"/> 2 HOLE
CST		HOLE SIZE	CST
SPRING		F mm	SPRING
		R mm	

Front TIRE		Rear TIRE	
Front Left	<input type="checkbox"/>	Tire Shore	Rear Left
Front Right	<input type="checkbox"/>		Rear Right
Front Left	mm	Tire Ø	Rear Left
Front Right	mm		Rear Right
		Tire Additive	

BODY

Bumper	Standard	Cut	BODY MOUNT DISTANCE	mm
BODY	WING			mm

ENGINE

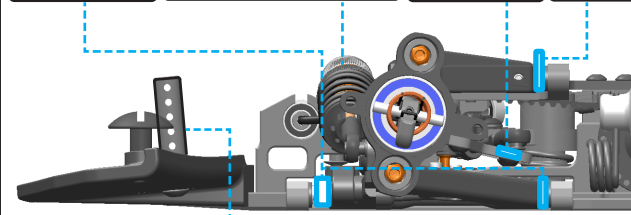
Engine	Pipe	
Plug	Carb Dia	mm
Fuel	Head Shims	mm

CLUTCH

Clutch Bell	Clutch Shoes		
Spring Load	mm	Bell Clearance	mm

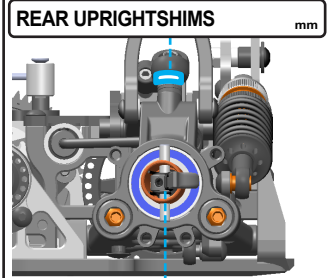
NOTE

WHEEL BASE	<input type="checkbox"/> BRACE	BUMP STEER	CASTER	<input type="checkbox"/> R839009	<input type="checkbox"/> BRACE
mm	mm	mm	mm	SHIM UNDER SHOCK	mm



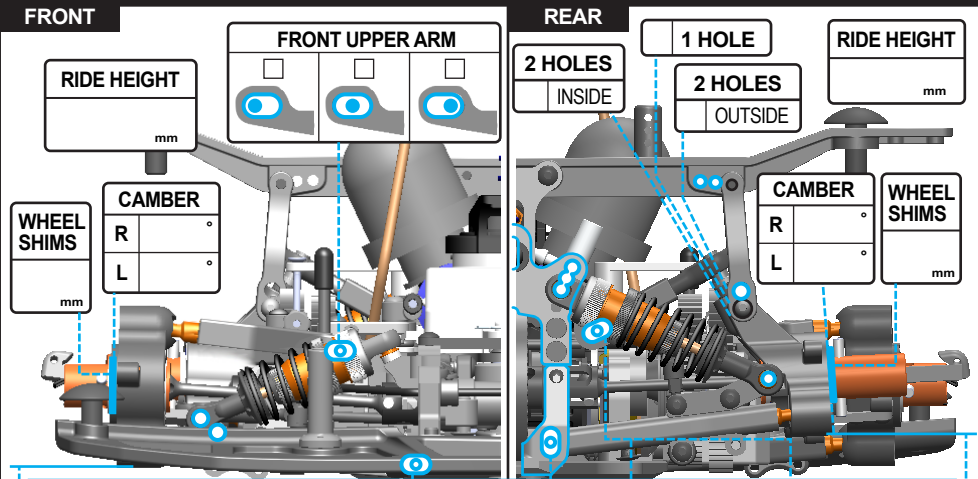
TOWER POSITION	mm	FRONT ARM	<input type="checkbox"/> S <input type="checkbox"/> M <input type="checkbox"/> H
----------------	----	-----------	--

STEERING BLOCK SETUP					
CENTER R806021	CENTER	BACKWARD	FORWARD	LOWER	UPPER



ECCENTRIC HUB		
<input type="checkbox"/> Up	<input type="checkbox"/> Middle	<input type="checkbox"/> R806021

REAR ARM	<input type="checkbox"/> S <input type="checkbox"/> M <input type="checkbox"/> H
----------	--



FRONT	FRONT UPPER ARM	REAR	2 HOLES INSIDE	1 HOLE OUTSIDE	RIDE HEIGHT	mm
WHEEL SHIMS	CAMBER R L	WHEEL SHIMS	REAR ROLL CENTER	I-TYPE	REAR UPPER LINK	DOWN STOP
DOWN STOP	FRONT LOW ARM	REAR ROLL CENTER	I-TYPE	REAR UPPER LINK	DOWN STOP	mm

WHEEL DISK	REAR TOE	FRONT TOE	WHEEL DISK
	IN	OUT	
REAR ANTI-ROLL BAR	FRONT ANTI-ROLL BAR	<input type="checkbox"/> FIX <input type="checkbox"/> REMOVED	
		R838003	<input type="checkbox"/> FIX <input type="checkbox"/> REMOVED
UPPER DECK	ACKERMAN		
<input type="checkbox"/> FIX <input type="checkbox"/> FLEX	<input type="checkbox"/> 10mm <input type="checkbox"/> 9mm <input type="checkbox"/> 8.5mm		
TRACK WIDTH	CHASSIS WEIGHT ADJUSTMENT		TRACK WIDTH
mm	REMOVED		mm
	R838008 CHASSIS COVER		