

RACE

TRACK

NAME

CITY / COUNTRY

DATE

TEMPERATURE	AIR	TRACK	
QUALIFYING POSITION	BEST LAP TIME	FINAL POSITION	RACE LENGTH
	SEC		MIN
TRACK CONDITION	<input type="checkbox"/> TECHNICAL	<input type="checkbox"/> MIXED	<input type="checkbox"/> FAST
TRACTION	<input type="checkbox"/> LOW	<input type="checkbox"/> MEDIUM	<input type="checkbox"/> HIGH

GEAR RATIO CHART

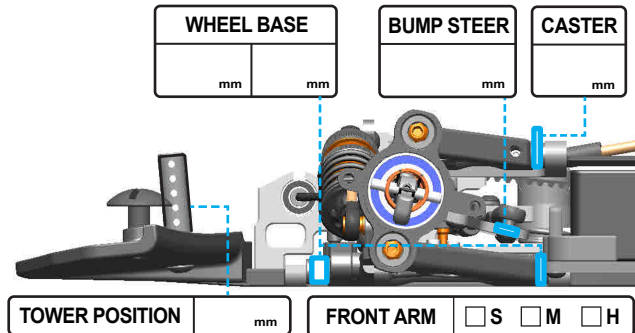
Spur Pinion \ 56	57	58	60	61	62	
22	6.11	6.22	6.33	6.55	6.65	6.76
23	5.84	5.95	6.05	6.26	6.37	6.47
24	5.60	5.70	5.80	6.00	6.10	6.20
25	5.38	5.47	5.57	5.76	5.86	5.95
26	5.17	5.26	5.35	5.54	5.63	5.72
27	4.98	5.07	5.16	5.33	5.42	5.51
28	4.80	4.89	4.97	5.14	5.23	5.31
29	4.63	4.72	4.80	4.97	5.05	5.13
30	4.48	4.56	4.64	4.80	4.88	4.96

Front		SHOCK		Rear	
OIL	SHOCK PISTON	OIL		OIL	
CST	HOLE SIZE	CST		CST	
SPRING	F mm	SPRING		SPRING	
	R mm				

Front		TIRE		Rear	
Front Left	Tire Shore	Rear Left		Rear Right	
Front Right		Rear Left		Rear Right	
mm	Tire Ø	mm		mm	
mm		mm		mm	
	Tire Additive				

BODY	
Bumper	BODY MOUNT DISTANCE
Standard	mm
Cut	
BODY	WING
	mm

NOTE



WHEEL BASE mm mm

BUMP STEER mm

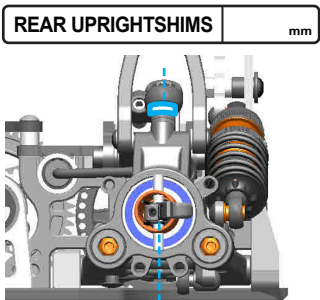
CASTER mm

TOWER POSITION mm

FRONT ARM S M H

STEERING BLOCK SETUP

<input type="checkbox"/>	<input type="checkbox"/>	<input type="checkbox"/>	<input type="checkbox"/>	<input type="checkbox"/>	<input type="checkbox"/>
CENTER R806021	CENTER	BACKWARD	FORWARD	LOWER	UPPER

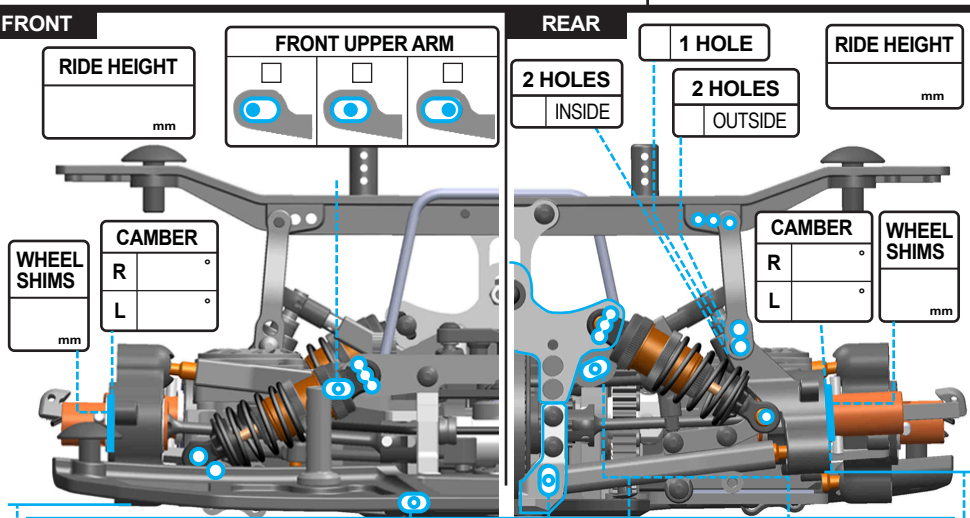


REAR UPRIGHTSHIMS mm

ECCENTER HUB

<input type="checkbox"/>	<input type="checkbox"/>	<input type="checkbox"/>
Up	Middle	R806021

REAR ARM S M H



FRONT

RIDE HEIGHT mm

FRONT UPPER ARM

REAR

1 HOLE

2 HOLES INSIDE

2 HOLES OUTSIDE

RIDE HEIGHT mm

WHEEL SHIMS mm

CAMBER R °

CAMBER L °

WHEEL SHIMS mm

DOWN STOP mm

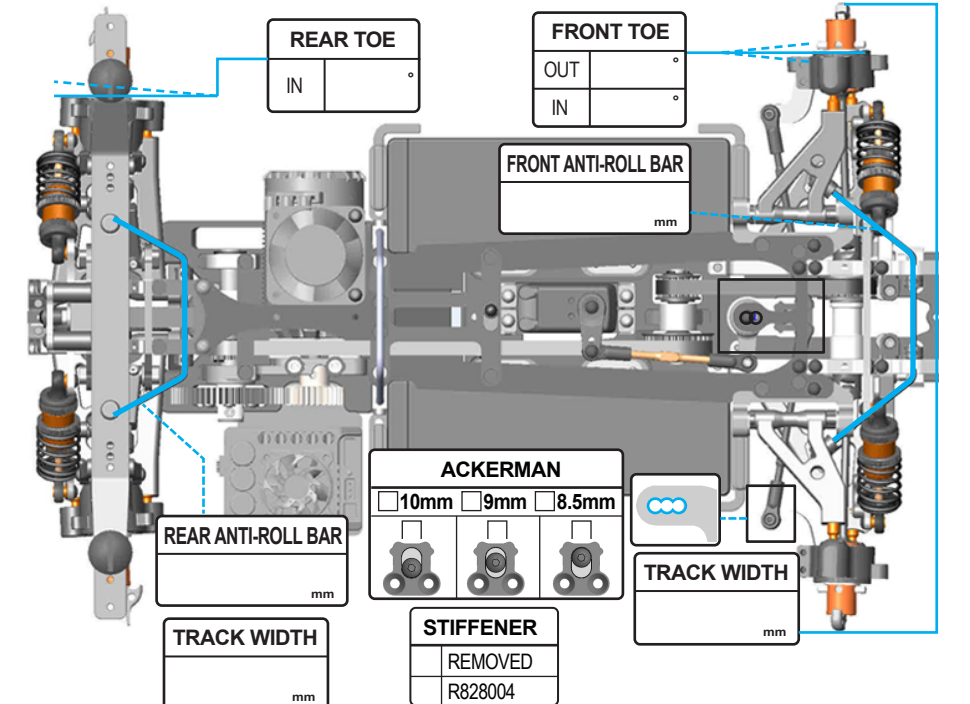
FRONT LOW ARM

REAR ROLL CENTER

I-TYPE

REAR UPPER LINK

DOWN STOP mm



REAR TOE IN °

FRONT TOE OUT °

FRONT TOE IN °

FRONT ANTI-ROLL BAR mm

ACKERMAN 10mm 9mm 8.5mm

REAR ANTI-ROLL BAR mm

TRACK WIDTH mm

STIFFENER

REMOVED

R828004