

RACE

TRACK

NAME

CITY / COUNTRY

DATE

TEMPERATURE	AIR	TRACK	
QUALIFYING POSITION	BEST LAP TIME	FINAL POSITION	
	SEC	MIN	
TRACK CONDITION	<input type="checkbox"/> TECHNICAL	<input checked="" type="checkbox"/> MIXED	<input type="checkbox"/> FAST
TRACTION	<input type="checkbox"/> LOW	<input checked="" type="checkbox"/> MEDIUM	<input type="checkbox"/> HIGH

GEAR RATIO CHART

Spur Pinion \	56	57	58	60	61	62
22	<input type="checkbox"/> 6.11	<input type="checkbox"/> 6.22	<input type="checkbox"/> 6.33	<input type="checkbox"/> 6.55	<input type="checkbox"/> 6.65	<input type="checkbox"/> 6.76
23	<input type="checkbox"/> 5.84	<input type="checkbox"/> 5.95	<input type="checkbox"/> 6.05	<input type="checkbox"/> 6.26	<input type="checkbox"/> 6.37	<input type="checkbox"/> 6.47
24	<input type="checkbox"/> 5.60	<input type="checkbox"/> 5.70	<input type="checkbox"/> 5.80	<input type="checkbox"/> 6.00	<input type="checkbox"/> 6.10	<input type="checkbox"/> 6.20
25	<input type="checkbox"/> 5.38	<input type="checkbox"/> 5.47	<input type="checkbox"/> 5.57	<input type="checkbox"/> 5.76	<input type="checkbox"/> 5.86	<input type="checkbox"/> 5.95
26	<input type="checkbox"/> 5.17	<input type="checkbox"/> 5.26	<input type="checkbox"/> 5.35	<input type="checkbox"/> 5.54	<input type="checkbox"/> 5.63	<input type="checkbox"/> 5.72
27	<input type="checkbox"/> 4.98	<input type="checkbox"/> 5.07	<input type="checkbox"/> 5.16	<input type="checkbox"/> 5.33	<input type="checkbox"/> 5.42	<input type="checkbox"/> 5.51
28	<input type="checkbox"/> 4.80	<input checked="" type="checkbox"/> 4.89	<input type="checkbox"/> 4.97	<input type="checkbox"/> 5.14	<input type="checkbox"/> 5.23	<input type="checkbox"/> 5.31
29	<input type="checkbox"/> 4.63	<input type="checkbox"/> 4.72	<input type="checkbox"/> 4.80	<input type="checkbox"/> 4.97	<input type="checkbox"/> 5.05	<input type="checkbox"/> 5.13
30	<input type="checkbox"/> 4.48	<input type="checkbox"/> 4.56	<input type="checkbox"/> 4.64	<input type="checkbox"/> 4.80	<input type="checkbox"/> 4.88	<input type="checkbox"/> 4.96

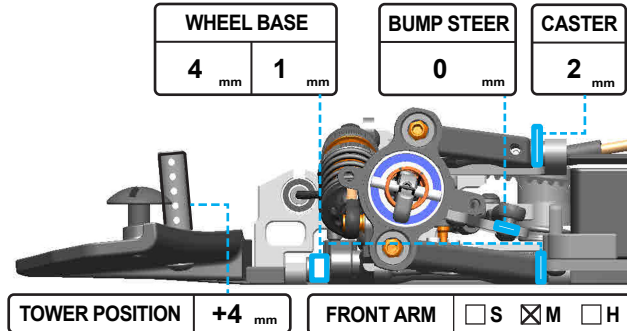
Front		SHOCK		Rear	
OIL	SHOCK PISTON	OIL		OIL	
800 CST	HOLE SIZE	800 CST		800 CST	
SPRING	F 1.0 mm	SPRING		SPRING	
White	R 1.0 mm	White		White	

Front		TIRE		Rear	
Front Left	32°	Tire Shore	Rear Left	35°	
Front Right	32°		Rear Right	35°	
Front Left	68mm	Tire Ø	Rear Left	75mm	
Front Right	68mm		Rear Right	75mm	
		Tire Additive			

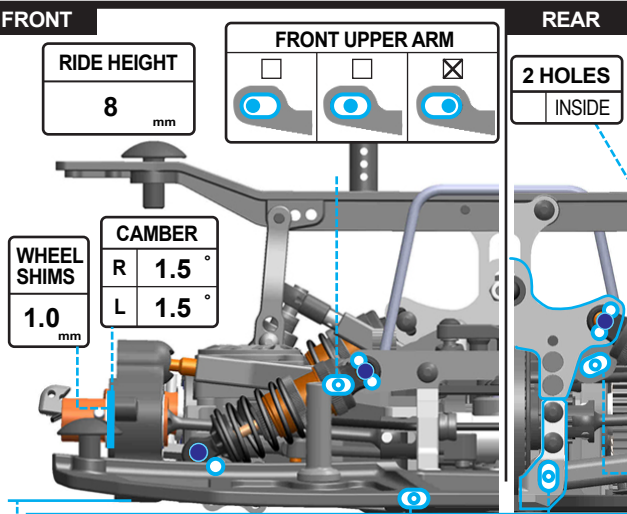
BODY	
Bumper	BODY MOUNT DISTANCE
<input checked="" type="checkbox"/> Standard	21 mm
<input type="checkbox"/> Cut	

BODY	SPEED	WING	5 mm
------	-------	------	------

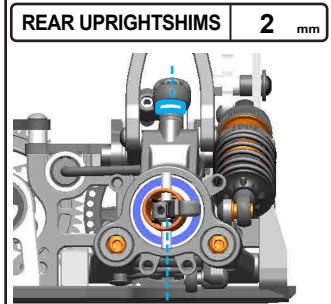
NOTE



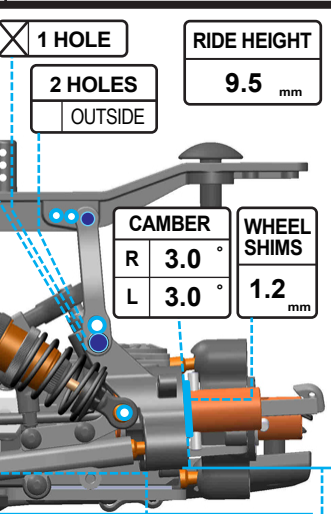
WHEEL BASE	4 mm	1 mm	BUMP STEER	0 mm	CASTER	2 mm
TOWER POSITION	+4 mm	FRONT ARM	<input type="checkbox"/> S	<input checked="" type="checkbox"/> M	<input type="checkbox"/> H	



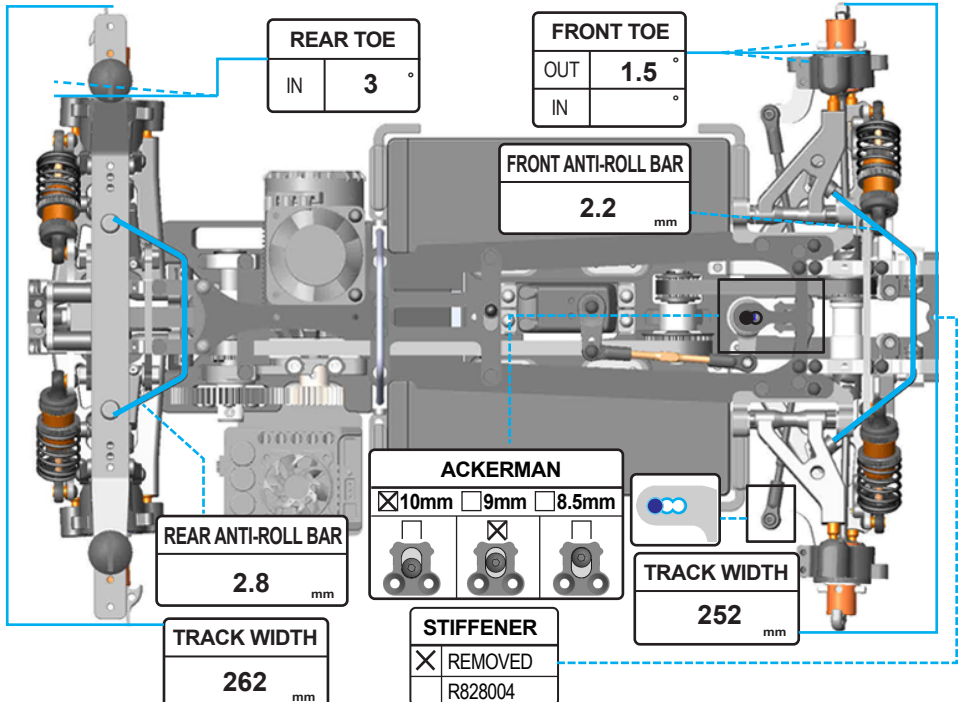
STEERING BLOCK SETUP	CENTER R806021	CENTER	BACKWARD	FORWARD	LOWER	UPPER
	<input checked="" type="checkbox"/>	<input type="checkbox"/>	<input type="checkbox"/>	<input type="checkbox"/>	<input type="checkbox"/>	<input type="checkbox"/>
FRONT	RIDE HEIGHT	8 mm	FRONT UPPER ARM	<input type="checkbox"/>	<input type="checkbox"/>	<input checked="" type="checkbox"/>
	WHEEL SHIMS	1.0 mm	CAMBER	R 1.5°	L 1.5°	



REAR UPRIGHTSHIMS	2 mm	ECCENTER HUB	<input type="checkbox"/> Up	<input type="checkbox"/> Middle	<input checked="" type="checkbox"/> R806021
REAR ARM	<input type="checkbox"/> S	<input checked="" type="checkbox"/> M	<input type="checkbox"/> H		



REAR	1 HOLE	RIDE HEIGHT	9.5 mm
	2 HOLES INSIDE	2 HOLES OUTSIDE	
	CAMBER	R 3.0°	L 3.0°
	WHEEL SHIMS	1.2 mm	



FRONT	FRONT TOE	OUT 1.5°	IN	REAR TOE	IN 3°
	FRONT ANTI-ROLL BAR	2.2 mm			
	ACKERMAN	<input checked="" type="checkbox"/> 10mm	<input type="checkbox"/> 9mm	<input type="checkbox"/> 8.5mm	
	REAR ANTI-ROLL BAR	2.8 mm			
	TRACK WIDTH	262 mm			
	STIFFENER	<input checked="" type="checkbox"/> REMOVED			R828004
	TRACK WIDTH	252 mm			