

RACE

TRACK

NAME

CITY / COUNTRY

DATE

TEMPERATURE	AIR	TRACK	
QUALIFYING POSITION	BEST LAP TIME	FINAL POSITION	RACE LENGTH
	SEC		MIN
TRACK CONDITION	<input type="checkbox"/> TECHNICAL	<input type="checkbox"/> MIXED	<input type="checkbox"/> FAST
TRACTION	<input type="checkbox"/> LOW	<input type="checkbox"/> MEDIUM	<input type="checkbox"/> HIGH

### GEAR RATIO CHART

Spur Pinion \ 56	56	57	58	60	61	62
22	6.11	6.22	6.33	6.55	6.65	6.76
23	5.84	5.95	6.05	6.26	6.37	6.47
24	5.60	5.70	5.80	6.00	6.10	6.20
25	5.38	5.47	5.57	5.76	5.86	5.95
26	5.17	5.26	5.35	5.54	5.63	5.72
27	4.98	5.07	5.16	5.33	5.42	5.51
28	4.80	4.89	4.97	5.14	5.23	5.31
29	4.63	4.72	4.80	4.97	5.05	5.13
30	4.48	4.56	4.64	4.80	4.88	4.96

Front	<b>SHOCK</b>		Rear
OIL	SHOCK PISTON	OIL	
CST	HOLE SIZE	CST	
SPRING	F mm	SPRING	
	R mm		

Front	<b>TIRE</b>		Rear
Front Left	Tire Shore	Rear Left	
Front Right		Rear Right	
Front Left	Tire Ø	Rear Left	
Front Right		Rear Right	
	Tire Additive		

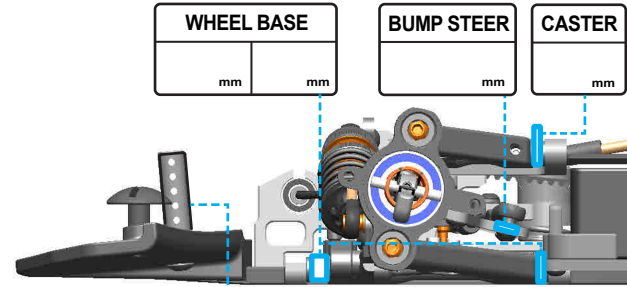
**BODY**

Bumper  Standard  Cut

BODY MOUNT DISTANCE  mm

BODY  WING  mm

**NOTE**



WHEEL BASE  mm

BUMP STEER  mm

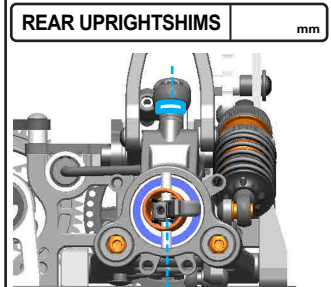
CASTER  mm

TOWER POSITION  mm

FRONT ARM  S  M  H

### STEERING BLOCK SETUP

<input type="checkbox"/> CENTER R806021	<input type="checkbox"/> CENTER	<input type="checkbox"/> BACKWARD	<input type="checkbox"/> FORWARD	<input type="checkbox"/> LOWER	<input type="checkbox"/> UPPER
---	---------------------------------	-----------------------------------	----------------------------------	--------------------------------	--------------------------------



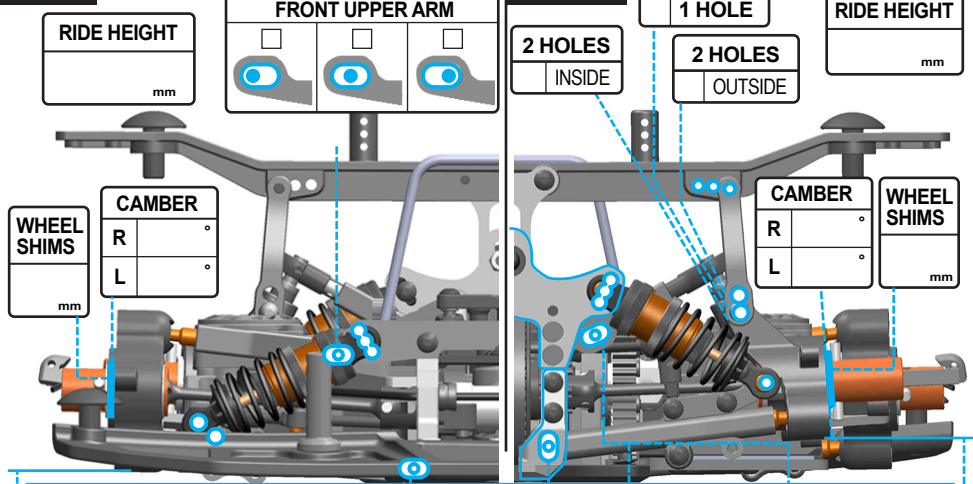
REAR UPRIGHTSHIMS  mm

### ECCENTER HUB

<input type="checkbox"/> Up	<input type="checkbox"/> Middle	<input type="checkbox"/> R806021
-----------------------------	---------------------------------	----------------------------------

REAR ARM  S  M  H

### FRONT REAR



RIDE HEIGHT  mm

FRONT UPPER ARM

REAR 2 HOLES INSIDE

2 HOLES OUTSIDE

RIDE HEIGHT  mm

WHEEL SHIMS  mm

CAMBER R  °  
L  °

CAMBER R  °  
L  °

WHEEL SHIMS  mm

DOWN STOP  mm

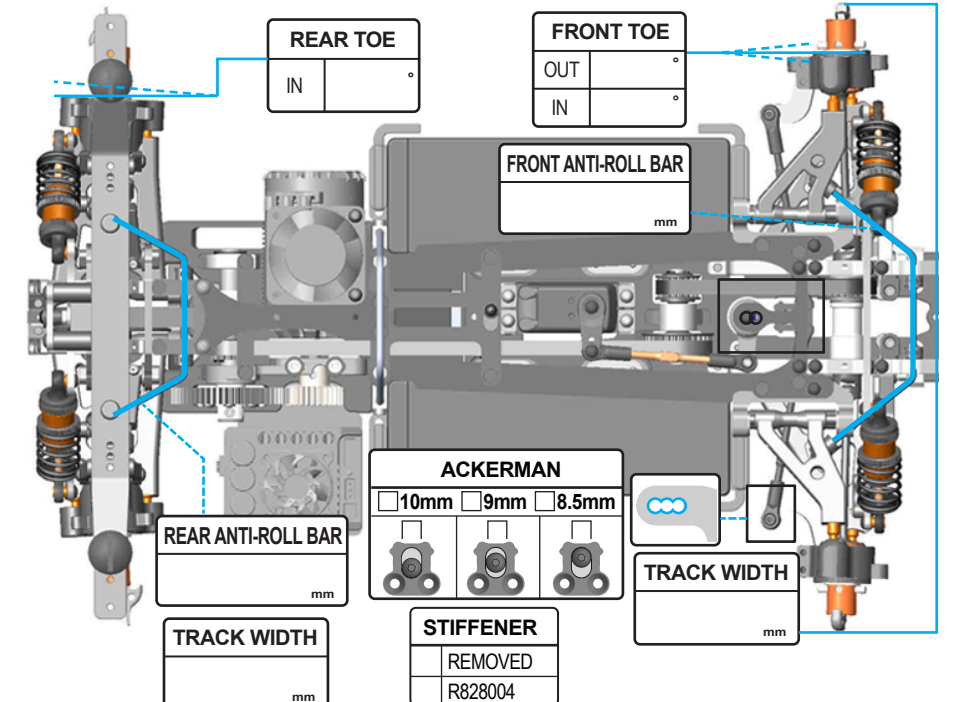
FRONT LOW ARM

REAR ROLL CENTER

I-TYPE

REAR UPPER LINK

DOWN STOP  mm



REAR TOE IN  °

FRONT TOE OUT  °  
IN  °

FRONT ANTI-ROLL BAR  mm

ACKERMAN  10mm  9mm  8.5mm

REAR ANTI-ROLL BAR  mm

TRACK WIDTH  mm

STIFFENER  REMOVED  R828004

TRACK WIDTH  mm