

RACE

TRACK

NAME

CITY / COUNTRY

DATE

TEMPERATURE	AIR	TRACK	
QUALIFYING POSITION	BEST LAP TIME	FINAL POSITION	RACE LENGTH
	SEC		MIN
TRACK CONDITION	<input type="checkbox"/> TECHNICAL	<input type="checkbox"/> MIXED	<input type="checkbox"/> FAST
TRACTION	<input type="checkbox"/> LOW	<input type="checkbox"/> MEDIUM	<input type="checkbox"/> HIGH

GEAR RATIO CHART

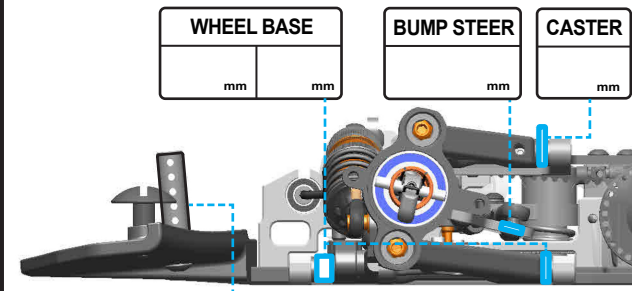
Spur Pinion \ 56	56	57	58	60	61	62
22	<input type="checkbox"/> 6.11	<input type="checkbox"/> 6.22	<input type="checkbox"/> 6.33	<input type="checkbox"/> 6.55	<input type="checkbox"/> 6.65	<input type="checkbox"/> 6.76
23	<input type="checkbox"/> 5.84	<input type="checkbox"/> 5.95	<input type="checkbox"/> 6.05	<input type="checkbox"/> 6.26	<input type="checkbox"/> 6.37	<input type="checkbox"/> 6.47
24	<input type="checkbox"/> 5.60	<input type="checkbox"/> 5.70	<input type="checkbox"/> 5.80	<input type="checkbox"/> 6.00	<input type="checkbox"/> 6.10	<input type="checkbox"/> 6.20
25	<input type="checkbox"/> 5.38	<input type="checkbox"/> 5.47	<input type="checkbox"/> 5.57	<input type="checkbox"/> 5.76	<input type="checkbox"/> 5.86	<input type="checkbox"/> 5.95
26	<input type="checkbox"/> 5.17	<input type="checkbox"/> 5.26	<input type="checkbox"/> 5.35	<input type="checkbox"/> 5.54	<input type="checkbox"/> 5.63	<input type="checkbox"/> 5.72
27	<input type="checkbox"/> 4.98	<input type="checkbox"/> 5.07	<input type="checkbox"/> 5.16	<input type="checkbox"/> 5.33	<input type="checkbox"/> 5.42	<input type="checkbox"/> 5.51
28	<input type="checkbox"/> 4.80	<input type="checkbox"/> 4.89	<input type="checkbox"/> 4.97	<input type="checkbox"/> 5.14	<input type="checkbox"/> 5.23	<input type="checkbox"/> 5.31
29	<input type="checkbox"/> 4.63	<input type="checkbox"/> 4.72	<input type="checkbox"/> 4.80	<input type="checkbox"/> 4.97	<input type="checkbox"/> 5.05	<input type="checkbox"/> 5.13
30	<input type="checkbox"/> 4.48	<input type="checkbox"/> 4.56	<input type="checkbox"/> 4.64	<input type="checkbox"/> 4.80	<input type="checkbox"/> 4.88	<input type="checkbox"/> 4.96

Front		SHOCK		Rear	
OIL	SHOCK PISTON	OIL			
<input type="checkbox"/> CST	HOLE SIZE	<input type="checkbox"/> CST			
SPRING	F <input type="checkbox"/> mm	SPRING			
	R <input type="checkbox"/> mm				

Front		TIRE		Rear	
Front Left	Tire Shore	Rear Left			
Front Right		Rear Right			
Front Left	Tire Ø	Rear Left			
Front Right		Rear Right			
	Tire Additive				

BODY	
Bumper	BODY MOUNT DISTANCE
<input type="checkbox"/> Standard	<input type="checkbox"/> mm
<input type="checkbox"/> Cut	
BODY	WING
<input type="checkbox"/>	<input type="checkbox"/>
<input type="checkbox"/>	<input type="checkbox"/>

NOTE



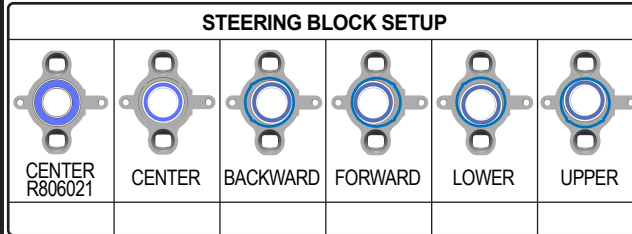
WHEEL BASE mm mm

BUMP STEER mm

CASTER mm

TOWER POSITION mm

FRONT ARM S M H



STEERING BLOCK SETUP

CENTER R806021

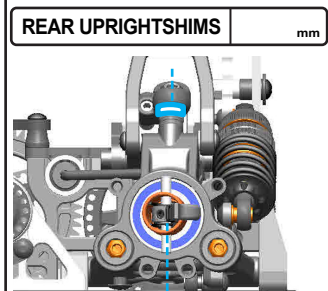
CENTER

BACKWARD

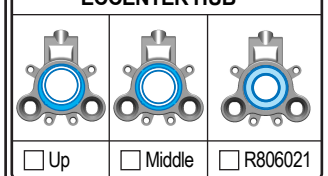
FORWARD

LOWER

UPPER



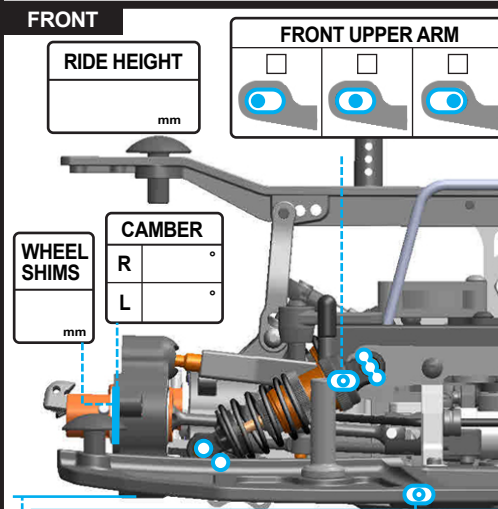
REAR UPRIGHTSHIMS mm



ECCENTER HUB

Up Middle R806021

REAR ARM S M H



FRONT

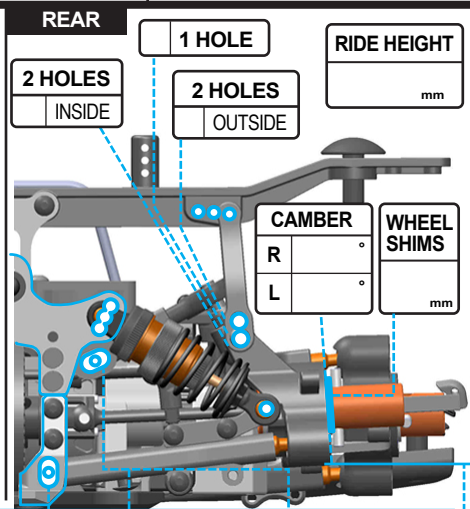
RIDE HEIGHT mm

FRONT UPPER ARM

CAMBER R °

L °

WHEEL SHIMS mm



REAR

1 HOLE

2 HOLES INSIDE

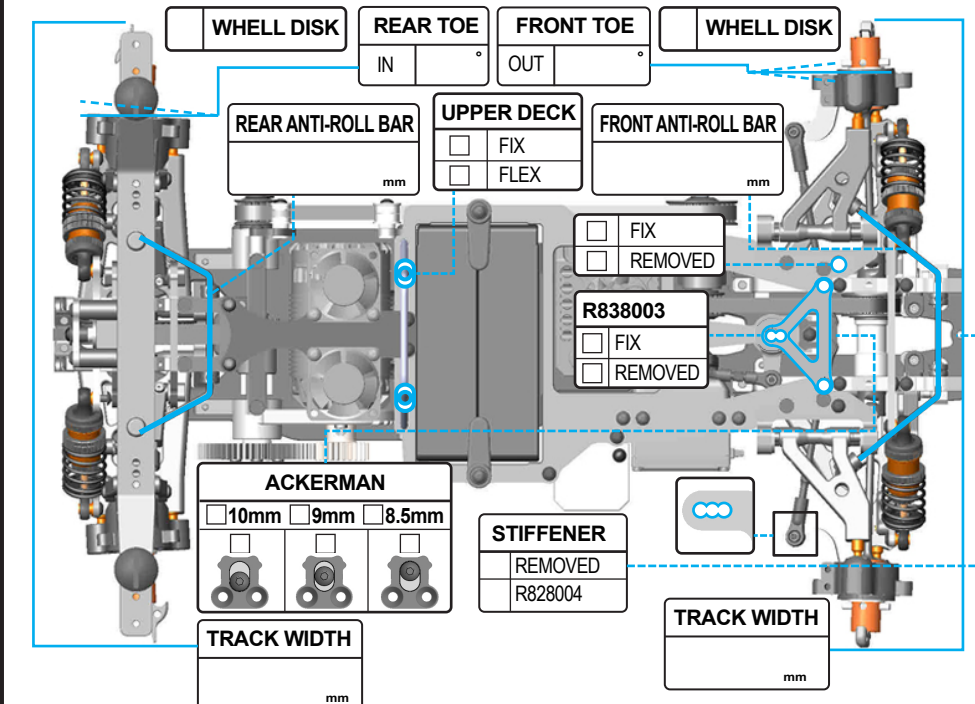
2 HOLES OUTSIDE

RIDE HEIGHT mm

CAMBER R °

L °

WHEEL SHIMS mm



WHELL DISK

REAR TOE IN °

FRONT TOE OUT °

WHELL DISK

REAR ANTI-ROLL BAR mm

UPPER DECK FIX FLEX

FRONT ANTI-ROLL BAR mm

FIX REMOVED

R838003 FIX REMOVED

ACKERMAN 10mm 9mm 8.5mm

STIFFENER REMOVED R828004

TRACK WIDTH mm

TRACK WIDTH mm